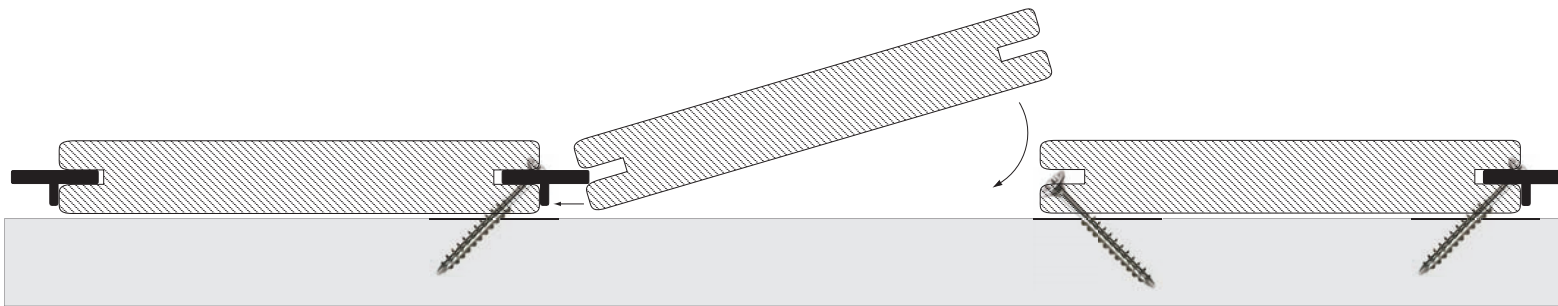
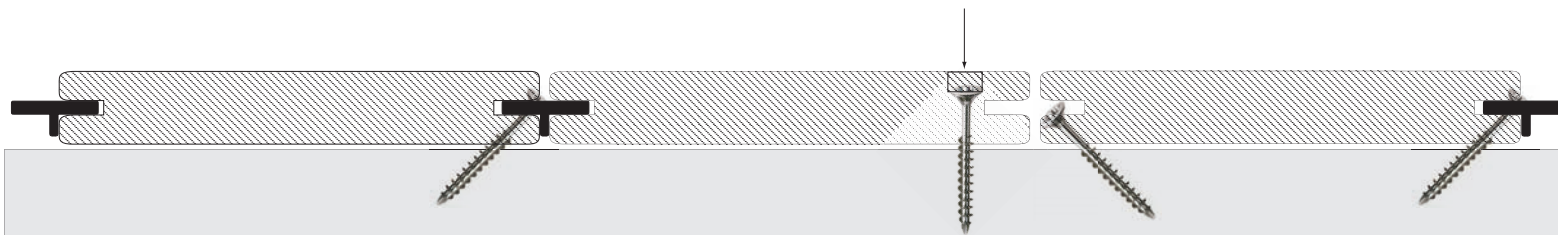



Cut out the board to be replaced. Remove the screws and fasteners that attached it to the joist. Screw down the adjacent board to the joist with a self-tapping screw at a 45° angle through the lower tongue of the groove.



Position the new board carefully abutting it against the fastener spacer tab.



Screw down the side of the board that has no fastener to the joist. Insert the plugs as described in Step 1 of the installation instructions.

Date	21/02/2009	Client		ALL PARTIAL OR TOTAL REPRODUCTION IS PROHIBITED
Name		Products	hardWood Clip Extreme hardWood Clip ExtremeKD	
Release	1	Reference	Installation rules	Board replacement